

Rea[®] Clematis[®]



en **Manual wheelchair passive**
Service Manual



DEALER: Keep this manual.
The procedures in this manual **MUST** be performed by a qualified technician.

rea[®]



Yes, you can.

© 2015 Invacare® Corporation

All rights reserved. Reproduction, duplication or modification in whole or in part is prohibited without prior written permission from Invacare. Trademarks are identified by ™ and ®. All trademarks are owned by or licensed to Invacare Corporation or its subsidiaries unless otherwise noted.

Contents

I General	4
1.1 Introduction	4
1.2 Delivery check.....	4
1.3 Customer service	4
2 Assembly	5
2.1 Mounting the trunk support	5
2.2 Mounting the attachment for table tray	5
2.3 Mounting the table tray	5
2.4 Rear wheels	5
2.5 Drum brake for 22–24”	6
2.6 Mounting the chassis extender	6
2.7 Mounting the pommel	7
2.8 Mounting the Drip stand	8
3 Settings and Adjustments	9
3.1 Positioning the headrest/neckrest to the front	9
3.2 Width adjustment	9
3.3 Adjusting the calf pads	9
3.4 Adjusting the brake effect.....	9
3.4.1 User brake — adjustment	9
3.4.2 Drum brake — adjustments	10
4 Maintenance	11
4.1 Safety information	11
4.2 Flat tire.....	11
4.3 Cleaning	11
4.4 Washing and disinfection	11
4.5 Reconditioning.....	11
4.5.1 Checklist for reconditioning	13
5 After Use	14
5.1 Recycling.....	14
5.2 Waste disposal	14
6 Technical data	15
6.1 Dimensions and weight	15
6.2 Material.....	15
6.3 Environmental conditions.....	15
6.4 Seat height table	16

I General

I.1 Introduction

The Rea Clematis®'s seat frame, push handles and certain other components subjected to strain are made of steel. Legrests are made of high quality aluminium.

Castor suspension and the jointed parts of the frame are made of polyamide reinforced with fiberglass. The backrest plate is also made of polyamide reinforced with fiberglass. Plastic details are marked for recycling. Seat and backrest cushions are made of foam rubber and the upholstery is made of washable plush or elastic polyurethane cloth.

The Rea Clematis® is a carer-operated wheelchair with an angle-adjustable seat unit. The angle of the backrest unit can be adjusted independently of the seat. The controls for the seat and backrest angle adjustment are included on the push handles. The Rea Clematis® is available in three seat widths.

The armrest height of each chair can be adjusted.

The wheels can be pneumatic or semi solid.

The seat and backrest pads have been ergonomically designed for the user. They are to provide as much stability and comfort as possible, as well as good pressure distribution.

I.2 Delivery check

Any transport damage must be reported immediately to the transport company. Remember to keep the packaging until the transport company has checked the goods and a settlement has been reached.

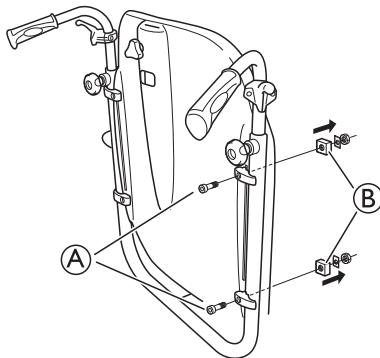
I.3 Customer service

For contact details please refer to the last page of this publication where you will find the address to your local European sales company.

2 Assembly

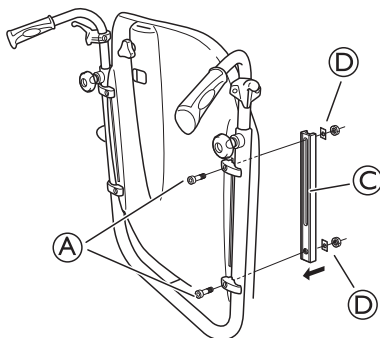
2.1 Mounting the trunk support

1.



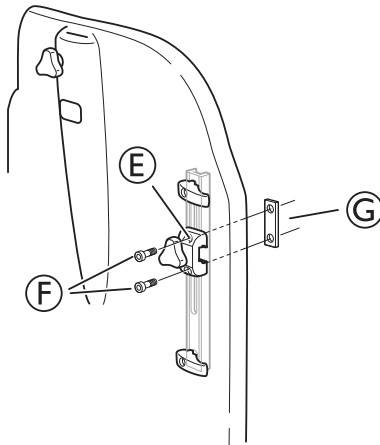
Loosen the screws (A) and remove the locking nuts (B).

2.



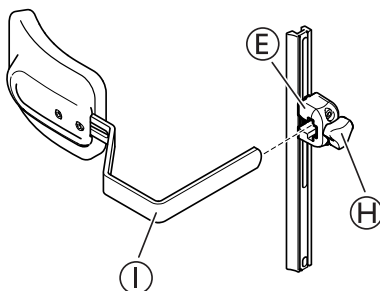
Mount the trunk support bar (C) with the screws (A) and the washers and nuts (D).

3.

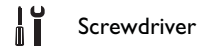


Mount the trunk support holder (E) with the screws (F) and the attachment washer (G).

4.

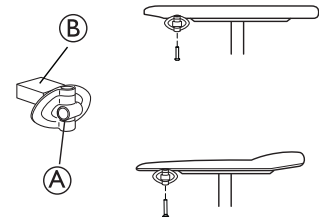


Mount the trunk support (I) in the trunk support holder (E) and tighten the hand wheel (H).



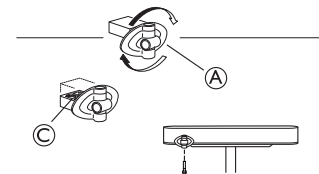
2.2 Mounting the attachment for table tray

1.



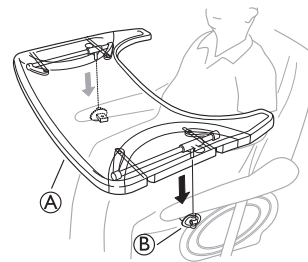
Mount the table attachment (A) with the attachment part facing outwards. The plain surface (B) of the attachment should be placed upwards when using the table on the thin armrests.

2.



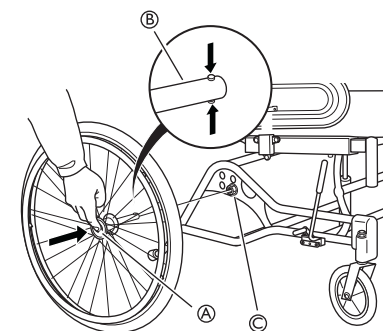
To fit the table attachment (A) to the wide armrest, turn the attachment around, the patterned surface (C) should now be facing upwards.

2.3 Mounting the table tray



Mount the table tray (A) in the table tray attachments (B).

2.4 Rear wheels




1. Press and hold in the quick-release button (A).
2. Place the rear wheel axle (B) in the rear wheel attachment (C).
3. Pull the wheels outwards to check that the wheel is securely locked in position.

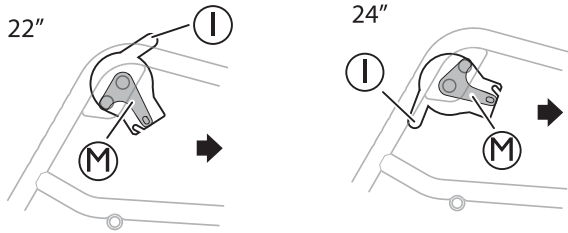


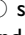

WARNING!
Risk of injury


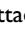
– It is really important to check that the rear wheel is securely locked in position! It should not be possible to remove the wheels when the quick-release button (A) is inactivated.

2.5 Drum brake for 22-24"

 The position of the brake unit differs depending on the rearwheel size.

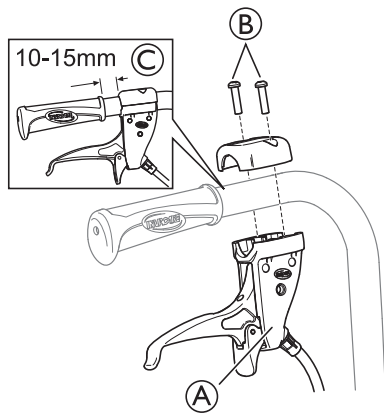


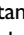

22" wheels = The wire holder  should be placed upwards and the attachment plate  as shown on the picture.

24" wheels = The wire holder  should be placed downwards and the attachment plate  as shown on the picture.



Mounting

1.

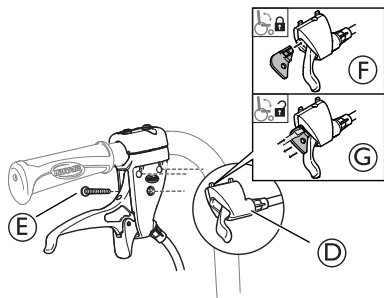




Mount the handle for the assistant maneuvered drum brake  on the push handle and attach the screws .

 Torx T20




 The distance between the handle and the handle for the assistant maneuvered drum brake must be 10 — 15 mm .

2.

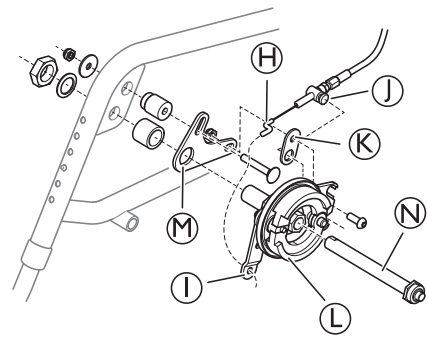




Mount the tilt handle  on the brake handle unit and tighten the screw .








 Screwdriver

 There is a locking function on the tilt handle, insert the locking key  to lock the tilt function. Remove the locking key  in order to unlock the tilt function.

3.

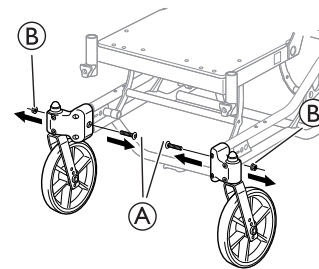


Mount the wire hook from the brake handle  in the wire holder .

4. Mount the wire  in the attachment washer  and mount the attachment washer  on the brake unit .
5. Tighten the screw.
6. Mount the attachment plate  on the frame of the wheelchair.
7. Mount the brake unit  and the rearwheel axle  on the attachment plate.
8. Tighten the screws.

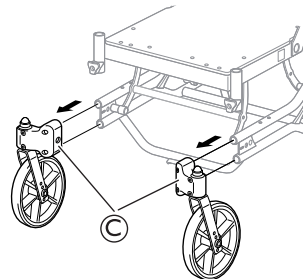
2.6 Mounting the chassis extender

1.



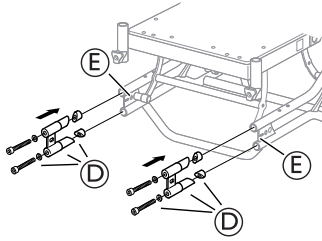
Loosen the screws  and the nuts .

2.



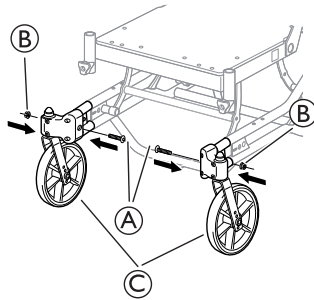
Remove the castor attachments .

3.



Mount the chassis extender **D** in the chassis tubes **E** and tighten the screws.

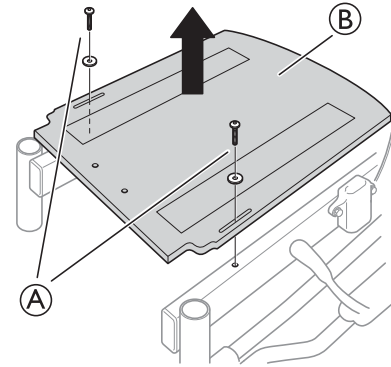
4.



Re-mount the castor attachment **C** and tighten the screws **A** and the nuts **B**.

2.7 Mounting the pommel

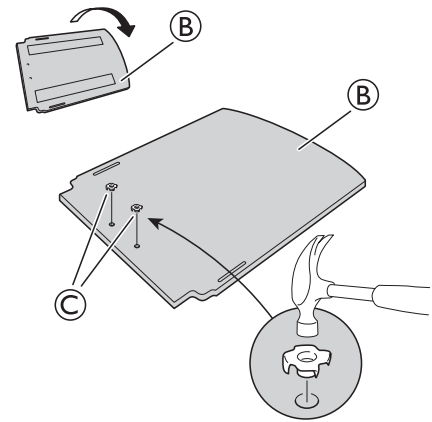
1.




Loosen the screws **A** and remove the seat plate **B**.

 5 mm allen key

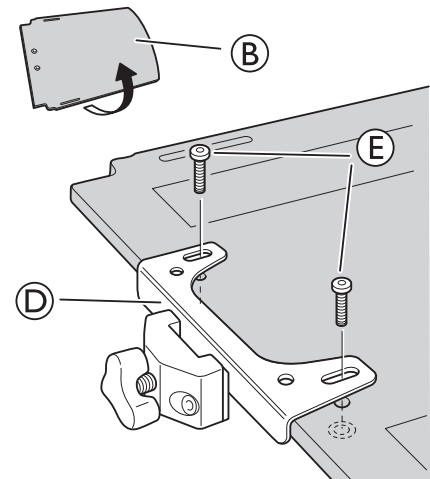
2.



Turn the seat plate **B** upside down and mount the tee nuts **C**.

 Hammer

3.

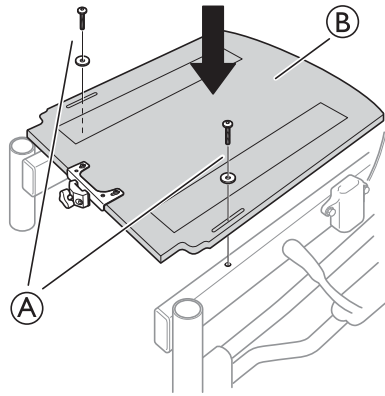


Turn the seat plate **B** back again and mount the attachment for the pommel **D**.


4. Attach the screws **E**.

 5 mm allen key

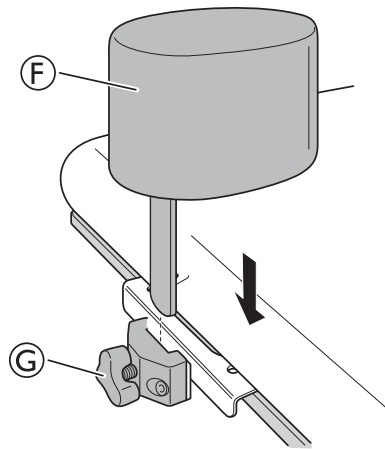
5.



Re-mount the seat plate (B) on the seat frame and tighten the screws (A).

 5 mm allen key

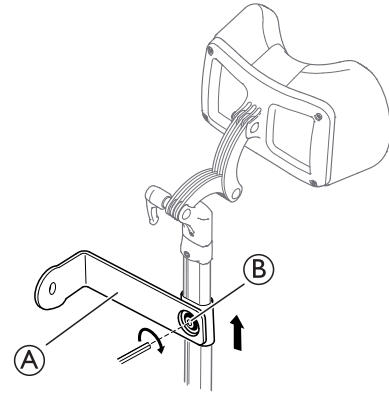
6.



Place the pommel (F) in the attachment and tighten the handwheel (G).

2.8 Mounting the Drip stand

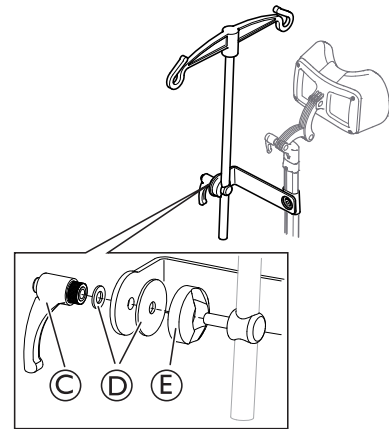
1.



Mount the holder for the drip stand (A) on the neckrest holder and tighten the screw (B).

 allen key 5 mm


2.

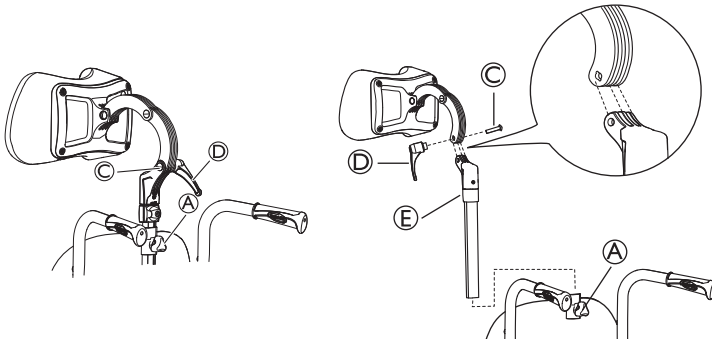



Mount the lever (C), the washers (D) and the holder with the drip stand (E) in the attachment and tighten the lever.

3 Settings and Adjustments


3.1 Positioning the headrest/neckrest to the front

 This additional depth adjustment will move the headrest another 7 cm forward.



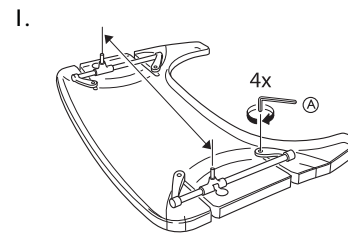
 You can also adjust the angle and depth by turning the attachment for the headrest / neckrest.

1. Loosen the handwheel **A**.
2. Remove the headrest / neckrest.
3. Loosen the handle **D**.
4. Remove the screw and the handle.
5. Rotate the headrest / neckrest attachment pole including the attachment **E**.
6. Return the headrest / neckrest to the attachment.

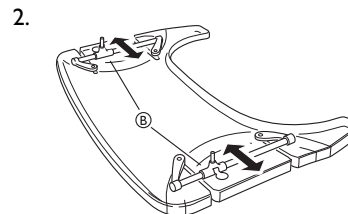
 Note that the screw to the headrest / neckrest attachment **C** and the handle **D** must be mounted on the opposite side due to the groves in the screw hole.

7. Return the headrest / neckrest to the attachment on the backrest.
8. Re-tighten the handle **D**.

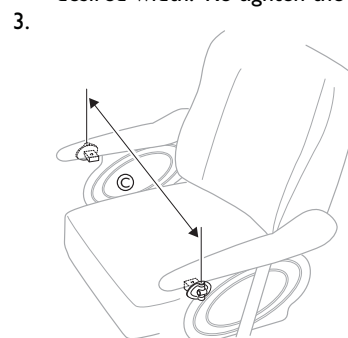
3.2 Width adjustment



Loosen the 4 screws **A**.

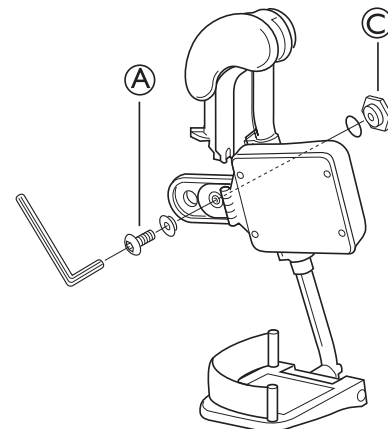


Adjust the attachment bars **B** in order to fit the table to the desired width. Re-tighten the screws.




Fit the table to fit the width of the chair **C**.

3.3 Adjusting the calf pads



1. Swing the pad forwards.
2. Unscrew screw **A**.

 Tools: 5 mm Allen key

3. Remove the large nut **C** on the reverse side and place it in the second attachment hole.
4. Move the calf pad to the new position.
5. Secure it into place with the screw **A** and the nut **C**.

3.4 Adjusting the brake effect

3.4.1 User brake — adjustment

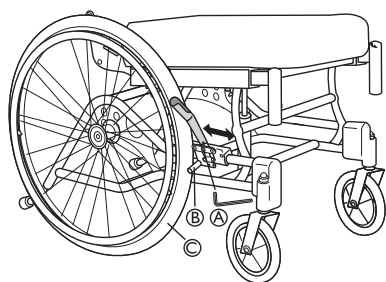
To attain the correct braking effect, the brake pin should press into the tire when you apply the brake. The brake may therefore require depth adjustment.



WARNING!

Risk of reduced brake effect

– Incorrect setting or use of the brake reduces the braking effect.



Tool: 5 mm Allen key

1. Loosen the screw **A**.
2. Move the brake attachment to the required position.
3. Re-tighten the screw **A**.



There should be a distance of approximately 6 mm between the pin **B** and the tire **C**.



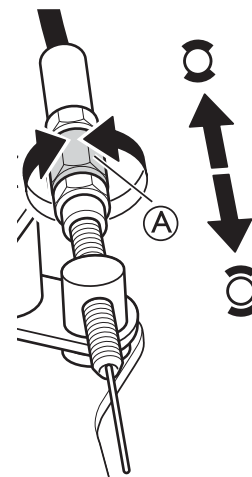
CAUTION!

Risk of trapping fingers

– Be careful not to trap your fingers between the brake pin **B** and rear wheel.

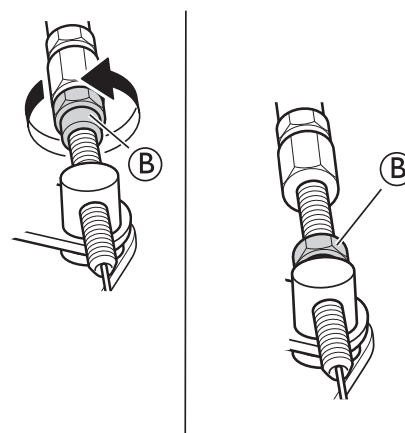
3.4.2 Drum brake — adjustments

1.



Adjust the brake effect with the adjustment nut **A** on the wire.

2.



When the desired brake effect is achieved, fixate the brake wire with the fixation nut **B**.



WARNING!

Risk of injury

Poor brake effect


– Check the brake effect after mounting or adjusting the brake.

4 Maintenance

4.1 Safety information


Regular checks and maintenance of the wheelchair ensure the user's safety and the expected lifetime of the chair.

4.2 Flat tire

 If you have a flat tire on your wheelchair, contact your Invacare dealer in order to get the flat tire attended to by competent personnel.


4.3 Cleaning

- Wipe metal parts and the upholstery regularly with a damp cloth.
- A mild detergent can be used.
- If necessary, the upholstery can be washed at 60° C.
- Ordinary washing powder/liquid can be used.
- For disinfection only use alcohol based detergent.

 Only use water and soft soap to clean the table!


4.4 Washing and disinfection

1. Remove all loose and removable covers and wash them in a washing machine according to the washing instructions for each cover.
2. Remove all padded parts such as seat cushions, armrests, headrest/neckrest with fixed padded parts, calf pads and so on and clean them separately.


 The padded parts can not be cleaned with a high-pressure cleaner or water jet.

4.5 Reconditioning

Components

 Lubricate all removable parts with a dry teflon based spray, e.g. "Viso 900-B5".

3. Spray the wheelchair chassis with detergent, for example a car-cleaning agent with wax, and leave on to work.
4. Rinse the wheelchair chassis with a high-pressure cleaning or ordinary jet of water depending on how dirty the wheelchair is. Do not aim the jet towards bearings and draining holes. If the wheelchair chassis is washed in a machine the water must not be hotter than 60° C.
5. Spray the wheelchair chassis with alcohol for disinfection.


 Only use water and soft soap to clean the table!


6. Leave the wheelchair to dry in a drying cabinet. Remove parts where water has collected for example in end tubes, ferrules etc. If the wheelchair has been washed in a machine, blow-drying with compressed air is recommended.



Dartex®

Lighter stains on the fabric may be neutralized with a soft damp cloth and some neutral detergent. To neutralize larger, more persistent stains, wipe the fabric with alcohol or turpentine substitutes, and wash with hot water and a neutral detergent.


Proprietary disinfectants may be used, provided that the manufacturer's instructions are followed. The fabric can be washed at temperatures up to 71° C (160° F). Normal detergents can be used.

 All parts of the wheelchair with Dartex® upholstery, such as armrest pads, calf pads, headrest/neckrest, should be cleaned according to the instruction above.

Chassis	All parts must be checked for cracks or other damages. Pay special attention to areas close to welds. If damages are discovered, the chassis must be discarded.
Backrest angle	Check that the angle is easy to adjust, it should be easy to fold and the locking mechanism must function properly.
Push handles / Push bar	Check that the push handles / push bar works properly. They should be firm and the screws must be tightened properly.
Back- and seat covers	<ul style="list-style-type: none"> • Check that the velcro® strips are intact and can be fixed properly. • Check that the covers are intact and clean, if not see section: "Washing and disinfection" • If the fabric is torn, replace the cover.
Seat angle	<p>Check the function by changing the angle from the lower to the highest position.</p> <p>Risk of damage</p> <p>– The gas piston must not be opened, it contains oil and gas under high pressure.</p> <div style="background-color: #f0f0f0; padding: 5px;"> <p> CAUTION! Risk of damage</p> <p>– The gas piston must not be opened, it contains oil and gas under high pressure.</p> </div>
Carer-operated brakes	<p>Check that the brake function is good, if not:</p> <ol style="list-style-type: none"> 1. Check that the wire is intact, if not, it must be replaced. 2. Check that the wire cover is intact, if not, the wire must be replaced. 3. Adjust the wire at the handle and/or at the wheel hub. 4. Tighten the wire until the optimal brake function is achieved.

Armrests / side rests	Check that the armrests / side rests are intact, they should be easy to detach / attach.
Legrests	Check that the legrests are: <ul style="list-style-type: none"> • Easy to detach • Easy to attach • Easy to adjust in height and angle
Anti-tip device	<ul style="list-style-type: none"> • Check that the anti-tip device is easy to adjust and fold. • Check that the screws are tight, if not, retighten.
Rear wheels	<ul style="list-style-type: none"> • Change the tires if the pattern is worn. • Replace missing spokes and tighten loose spokes. • Fasten the hand rim if it is loose. • Check that the hand rim is smooth and that there are no cracks or sharp edges. If so, replace the hand rim. • Check the rear wheel axle, it should be completely inserted into the axle housing. Check that the rear wheel axle locks properly. Pull on the rear wheel to check that the removable axle does not come off. • Check the air pressure — recommended air pressure is 3,5 bar / 50 psi for standard tires.
Rear wheel attachment	<p>Check:</p> <ul style="list-style-type: none"> • That the screws on the rear wheel attachment are tight. • That the axle housing is correctly placed. <p> The axle housing should be tightened with a manual and dynamometric wrench calibrated to 40 Nm.</p>
Brakes	<ul style="list-style-type: none"> • Check that the hub brakes work properly on both tires. • Check the positioning of the user brakes. • Check that the brake pin is not worn down. If so, replace it. • Check that the screws are tightened. • Test the brake function. When braking, the brake pin should press the tire down by 5 mm. <p> Make sure that you have the correct air pressure in the tires to attain the optimal brake effect.</p>
Castors	<ul style="list-style-type: none"> • Detach the castors and clean the castor forks. • Remove any dirt or hair from the castors. • Attach the castors again and check that the castors turn freely. • If the castors are air filled, check the pressure — recommended air pressure for low profile tires is 8" / 4.0 bar. • If the castors are solid, check the tires for cracks. If the tires are dry and filled with cracks, they need to be replaced.
All fasteners for wear and tightness	<p>Bolts and other fasteners can come loose due to constant use:</p> <ol style="list-style-type: none"> 1. Check that the fasteners are tight on the castor forks, footrest, seat, side rests, backrest, handles etc. 2. Tighten any loose bolts or screws.

Accessories

 Lubricate all removable parts with a dry teflon based spray, e.g "Viso 900-B5".

All fasteners for wear and tightness	<p>Bolts and other fasteners can come loose due to constant use:</p> <ol style="list-style-type: none"> 1. Check that the fasteners are tight on the castor forks, footrest, seat, side rests, backrest, handles etc. 2. Tighten any loose bolts or screws.
Headrest	<ul style="list-style-type: none"> • Check that the side- and angle adjustment for the "wings" works properly. • Check that the angle adjustment works and that there is a memory function.
Neckrest	<ul style="list-style-type: none"> • Check that the angle adjustment works and that there is a memory function.
Trunk support "Multi functional"	<ul style="list-style-type: none"> • Check that the angle adjustment works properly and that there is a memory function.
Abduction cushion	<ul style="list-style-type: none"> • Check that the depth adjustment works.
Table tray	<ul style="list-style-type: none"> • When re-mounting the table tray, try to find the thread manually before fastening the screws with tools. This spare the threading.

4.5.1 Checklist for reconditioning

	OK	NOTE	SIGN
WASHING			
RECONDITIONING:			
Chassis			
Backrest angle			
Push handles / Push bar			
Backrest cover			
Seat cover			
Seat angle			
Carer-operated brake			
Armrests / Side rests			
Legrests			
Footrests			
Anti-tip device			
Rear wheels			
Rear wheel attachment			
Brakes			
Castors			
Fasteners for wear and tightness			
Headrest			
Neckrest			
Trunk support			
Abduction cushion			
Table tray			
TEST:			
Chair rolls in straight line			
Easy to propel			
DELIVERY CHECK:			
Include a user manual			

5 After Use

5.1 Recycling

The wheelchair can be divided into the following main components:

- Chassis
- Plastic parts
- Upholstery
- Wheels, tires and tube
- Packing

5.2 Waste disposal

Please be environmentally responsible and recycle this product through your recycling facility at its end of life.

Waste disposal must comply with the laws and regulations pertaining waste handling in each country.

The wheelchair can be divided into the following main components:

Chassis

- The chassis is produced in steel and is fully recyclable.
- Recycling of steel requires only 20-25% of the energy compared to new produced steel.
- The wheelchair has two gas pistons and they contain oil and must be disposed according to national requirements.



Be aware of that the gas pistons contains high pressure and must be handled with care during destruction.

Plastic parts

- The plastic parts in the chairs are produced of "Thermoplastic" and are marked with recycling symbols (where it is possible due to part size).
- The main plastic material is polyamide.
- The plastic materials for the table are ABS and polyamide.
- This material can be recycled or burned in approved facilities.

Upholstery

- Upholstery is produced of polyester fibres (PUR) and Dartex®.
- The efficient way to recycle the parts is to burn them in approved facilities.

Wheels, tires and tubes

- The handrim, rim, spokes and hub are made of steel, stainless steel or aluminium and can be recycled according to above.
- Tires and tubes are made of rubber and can be recycled according to above.

Packing

- All Invacare Rea AB packing material is developed to fit the products in an optimal way to reduce unnecessary material waste.
- All boxes are recyclable.

End of life




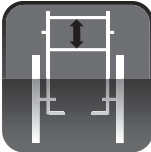











At the end of this products life, it should be recycled according to laws and regulations for waste handling in each country.



Contact your local recycling agent to obtain the correct information on how to handle the above mentioned materials.

6 Technical data

6.1 Dimensions and weight

				
1. Seat width	2. Seat depth	3. Seat Height	4. Backrest height	5. Armrest height
				
6. Legrest length	7. Tilt adjustment	8. Total width	9. Total height	10. Total length
				
11. Weight	12. Maximum user weight	13. Transport weights	14. Backrest adjustment	15. Transportation dimensions

1.	390, 440, 490 mm *	6.	400–520 mm	11.	30, 32, 33,5 kg
2.	420–480 mm	7.	-1° – +19°	12.	125 kg
3.	400–450 mm *1	8.	SW + 210 mm	13.	20,5 / 21 / 21,5 kg *3
4.	600–710 mm *1 / *2	9.	960–1120 mm	14.	-1° – +32°
5.	230–340 mm *1	10.	1120–1480 mm	15.	Transportation dimensions *4

* +20 mm with the spacers

*1 Measured from seat plate

*2 Excluding neckrest and push handles

*3 Without rear wheels, neckrest, armrests, legrests, trunk support and seat cushion

*4 SW 390 mm — h 535 x L 840 x 585 mm

SW 390 mm — h 535 x L 840 x 635 mm

SW 390 mm — h 535 x L 840 x 685 mm


6.2 Material

Chassis, backrest tubes	Steel, powder coated
Plastic parts like push handles, brake handles, foot plates and parts of most accessories	Thermoplastic (e.g. PE or PP) according to marking on the parts
Upholstery (seat and backrest)	Foam PUR and fabric Dartex®
Table	ABS
Screws, washers and nuts	Steel, corrosion free

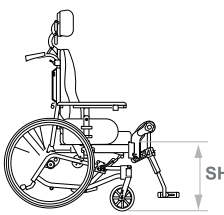
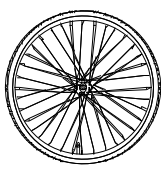
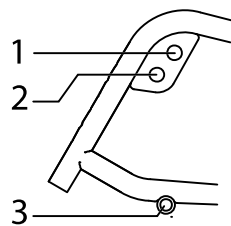
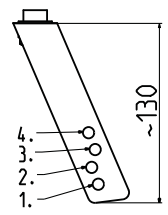
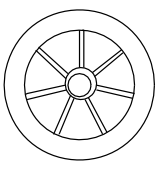
6.3 Environmental conditions

	Storage and transportation	Operation
Temperature	-10° C to +50° C	-5° C to +40° C

Relative humidity	20% to 75%
Atmospheric pressure	800 hPa to 1060 hPa

 Be aware that when a wheelchair has been stored under low temperatures, it must be adjusted to operating conditions before use.

6.4 Seat height table

Seat height *	Rearwheel	Rearwheel position	Fork I 10	Castors
				
400	22"	1	3	150
450	12"	3	1	200
450	24"	2	1	200

* All measurements are in mm

Invacare Sales Companies

Ireland:

Invacare Ireland Ltd,
Unit 5 Seatown Business Campus
Seatown Road, Swords, County
Dublin
Tel: (353) 1 810 7084
Fax: (353) 1 810 7085
ireland@invacare.com
www.invacare.ie

United Kingdom:

Invacare Limited
Pencoed Technology Park, Pencoed
Bridgend CF35 5AQ
Tel: (44) (0) 1656 776 222
Fax: (44) (0) 1656 776 220
uk@invacare.com
www.invacare.co.uk



Manufacturer:

Invacare Rea AB
Växjövägen 303
S-343 75 Diö

1580314-A 2015-01-01



Making Life's Experiences Possible™

rea



Yes, you can.